

# Technical data sheet

## Connector, Rd 8–10 mm with pressure trough A2

Item number: 5304177



- With 1 fix contact clamping screw, nut and serrated washer
- Including pre-mounted pressure sump, steel
- Conforms to the requirements according to DIN VDE 0185-305 (IEC 62305)



**A4** Stainless steel

### Master data

Item number	5304177
Type	5001 N-V4A
Description 1	Connection terminal
Description 2	for round conductors
Manufacturer	OBO
Dimension	8-10mm
Material	Stainless steel 1.4404
Smallest sales unit	10
Unit of quantity	Piece
Weight	6.5 kg
Weight unit	kg/100 pc.
CO2 Footprint (GWP) Cradle-to-Gate	0,3335 kg CO2e / 1 Piece

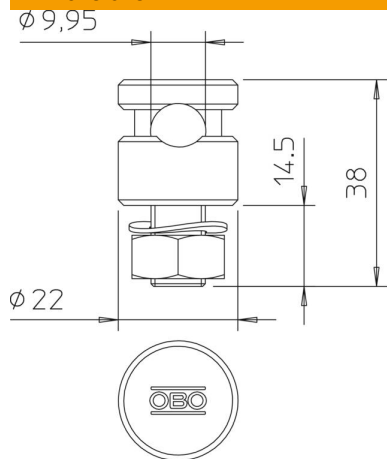
# Technical data sheet

Connector, Rd 8–10 mm with pressure trough A2

Item number: 5304177



## Dimensions



## Technical data

Type of fastening screw	Clamping screw
Type of connector	Connectors
Lightning current carrying capacity	N/50 kA
Suitable for connection	Round conductor Rd 8–10 / Rd 8–10
Fit	Rd 8-10 mm
Round conductor diameter, conductor 1, max.	10 mm
Round conductor diameter, conductor 1, min.	8 mm
Intermediate plate	no